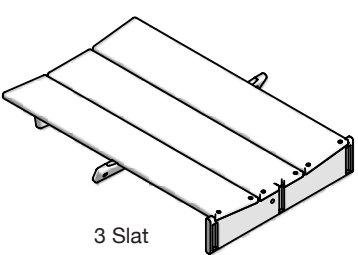
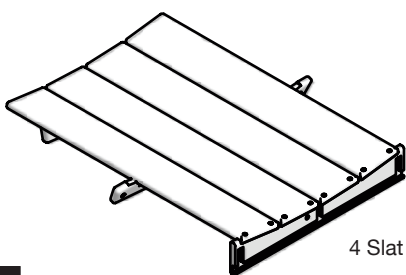


INCLUDED PARTS

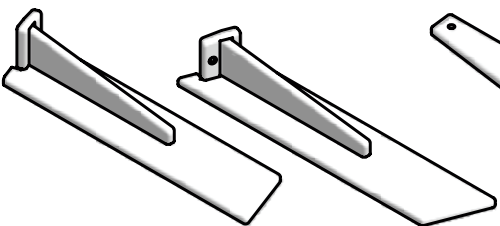


3 Slat



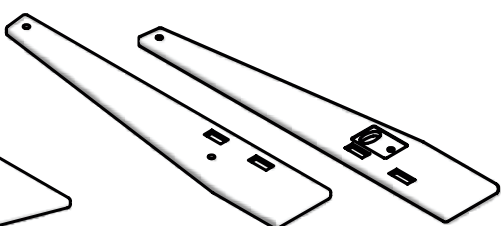
4 Slat

BACK
1x



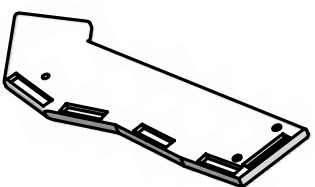
LEFT LEG
1x

RIGHT LEG
1x

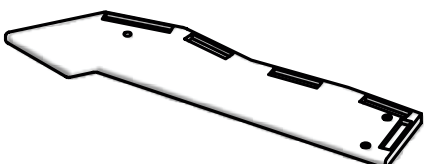


P6L
1x

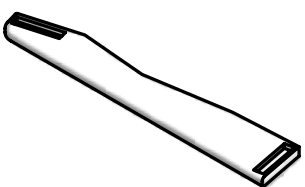
P6R
1x



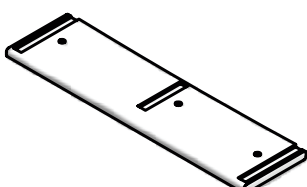
P2R
1x



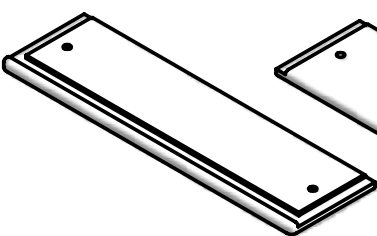
P2L
1x



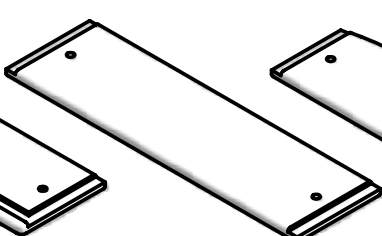
P11
1x



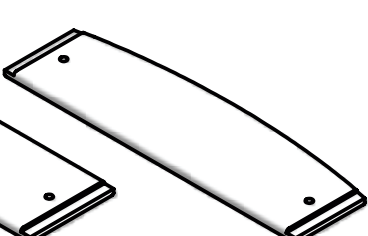
P1
1x



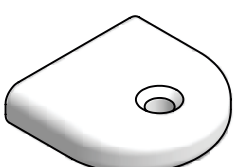
P12
1x



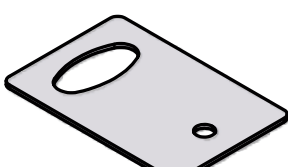
P13
3 SLAT 4 SLAT
1x 2x



P14
1x



GB
3 SLAT 4 SLAT
12x 14x



BOTTLE OPENER
1x



1" FLAT HEAD
2&3 SLAT 4 SLAT
22x 24x

*Bolt shown actual size

ASSEMBLY TIPS

**Please read before beginning assembly!*

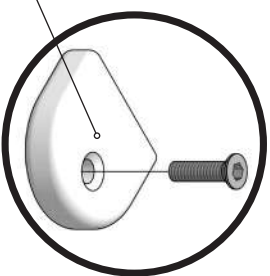
To avoid damaging furniture perform the assembly of your Loll furniture on a clean soft surface like a blanket, carpet, or the flattened cardboard box the furniture was shipped in. Components should not be unnecessarily forced together! If it seems parts aren't fitting together you likely have something wrong and you should reread the instructions to ensure you are aligning the proper components. If your piece of furniture requires "Blocks" for assembly one side may have protective film on it. This surface is hidden after assembly so the film can remain on the block or it can be removed. Use a Cordless Screw Gun if you have one and know how to use it. Set the clutch setting at medium torque. We do not recommend using an electric drill with a cord and without a clutch to install bolts in inserts as you can easily overtighten and damage the product. All bolts come standard with a thread coating to reduce bolts loosening after assembly while still allowing removal and reuse of the bolt. Start all bolts by hand, with the Allen Key, or the Loll Tool and tighten firmly until parts are drawn tight together and you can't muscle the bolt any tighter. It's virtually impossible to over tighten by hand. Watch the assembly videos at www.lolldesigns.com/videos for even more information and visual aids. If you have more questions please contact your Loll Sales Associate or Customer Service for support at 877.740.3387. A **Pro Tool Kit** can also be purchased from Loll for multi piece assembly jobs. **** Please Recycle the BOX and paper packaging. The green plastic stretch wrap we use is compostable.**

Scan for assembly tips and videos

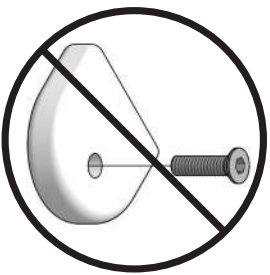


BLOCK & BOLT INSTALLATION

Insert bolts through countersunk hole side of blocks as shown below.



CORRECT



INCORRECT

Countersunk Hole

LOLL TOOL

Locate the box marked "Tool Included" before beginning assembly.



PRODUCT CARE

Your new Loll furniture is a no maintenance product. You'll never need to paint or stain it and it can be left outside all year regardless of the season. It will not rot, even if left standing in water. Nonetheless, we're pretty sure your Loll furniture will get a lot of use and will at some point need cleaning. We recommend a garden hose and incorporating a soft bristle brush. Adding a tablespoon or two of your favorite eco-friendly soap to the wash will get everything squeaky clean. Mineral deposits left over from hard water can be removed with a solution of vinegar and water. Loll offers a cleaning kit that has everything you need for great results. Also see our cleaning video at lolldesigns.com/videos.

5 YR WARRANTY

Loll Designs strives to build long-term relationships based on confidence and trust with our customers. We sit beside, on top, and beneath the quality of our fine furniture and will make things right if you are not completely satisfied with your purchase. Loll Designs hereby guarantees that the piece will be of good quality and workmanship, free from faults and defects. Loll warrants that all components will not fail, under normal use, for five years from the year mark on the piece or the date of purchase. *For commercial orders the warranty is three years.

DAMAGED PRODUCT

Sometimes accidents occur. Please inspect your Loll furniture when you receive it to make sure that it has not been damaged during shipping. If damage has occurred please take digital pictures of the damaged furniture and the box it was shipped in, and email them to sales@lolldesigns.com or call Customer Service using our toll free number: 877.740.3387, ext. 1. The damage will be assessed and you will be contacted with a solution to the problem. It may be helpful to save all of your packaging material in case a return is necessary.

We want you to love your Loll.

Reach out if you need lollygagging assistance.

877-740-3387

sales@lolldesigns.com

5912 Waseca Street | Duluth, Minnesota 55807

MADE IN THE USA



LOLL
DESIGNS

ASSEMBLY INSTRUCTIONS & PRODUCT INFO:

ADIRONDACK CHAIR



Loll Designs inspires people to appreciate the outdoors.

1

BACK 1x

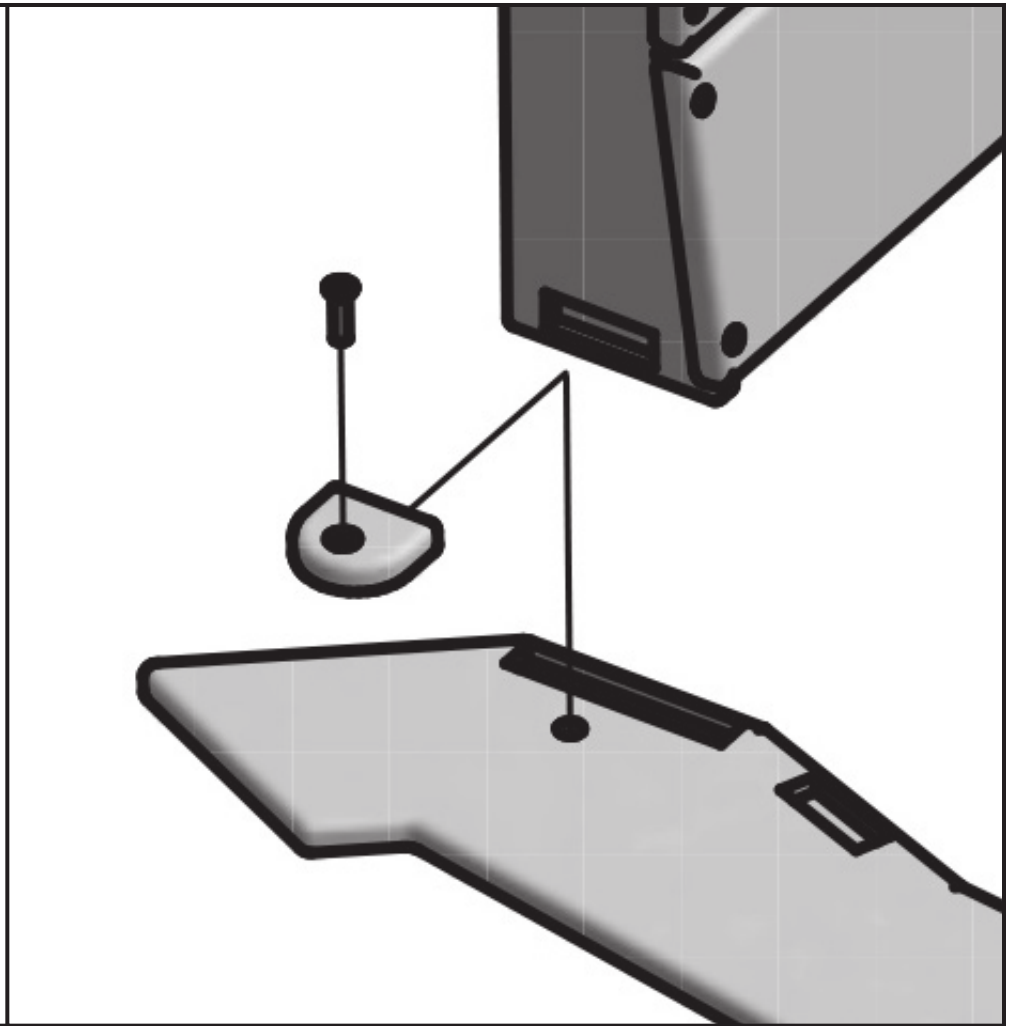
GB 1x

P2L 1x



1" FLAT HEAD

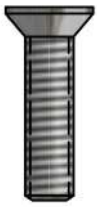
1x



2

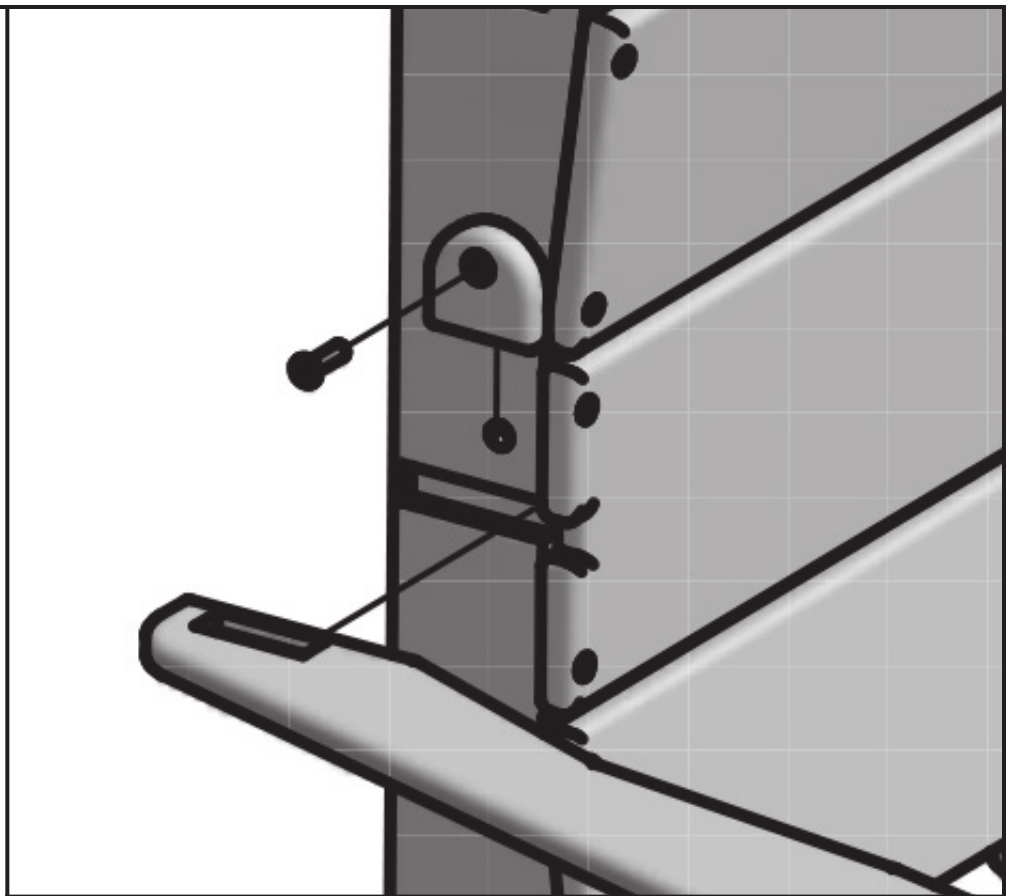
GB 1x

P11 1x



1" FLAT HEAD

1x



REPEAT STEP 1 TO ATTACH P2R

3

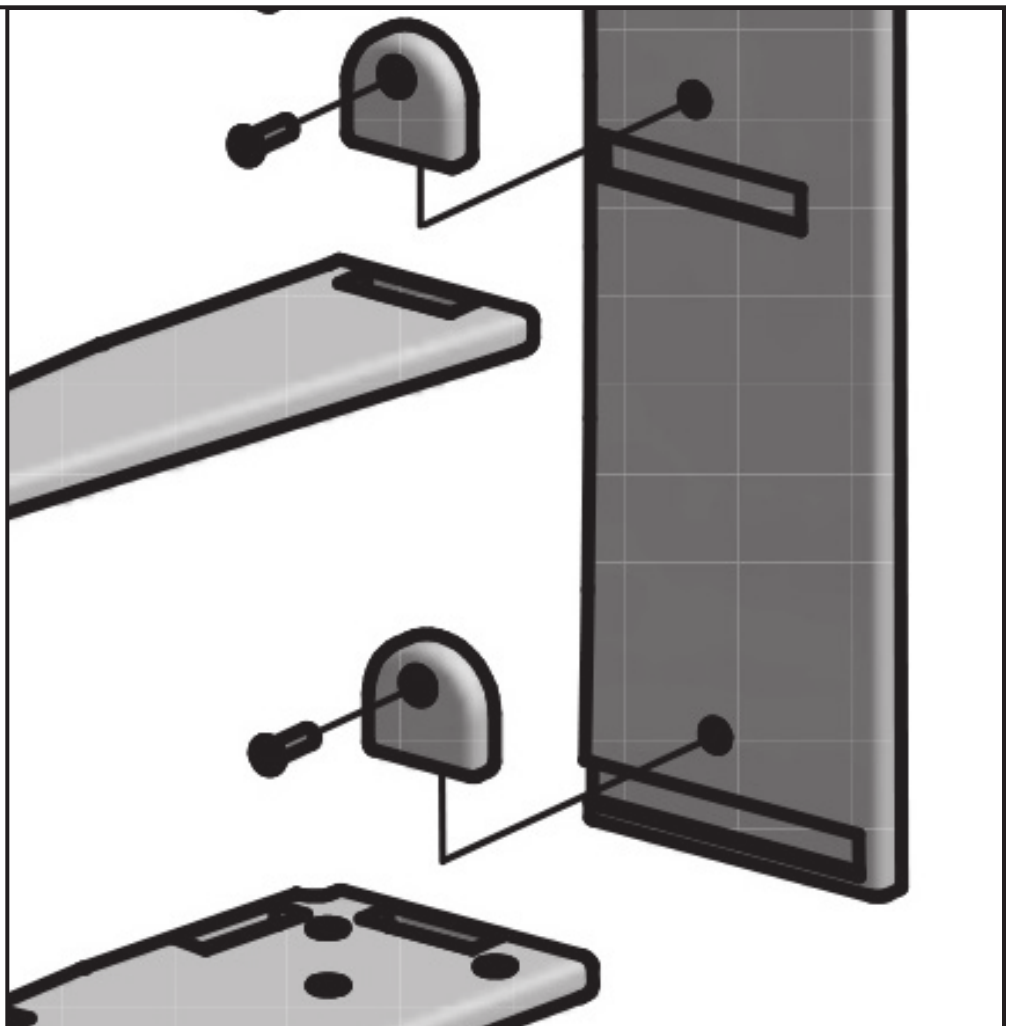
P1 1x

GB 3x



1" FLAT HEAD

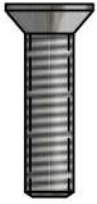
3x



4

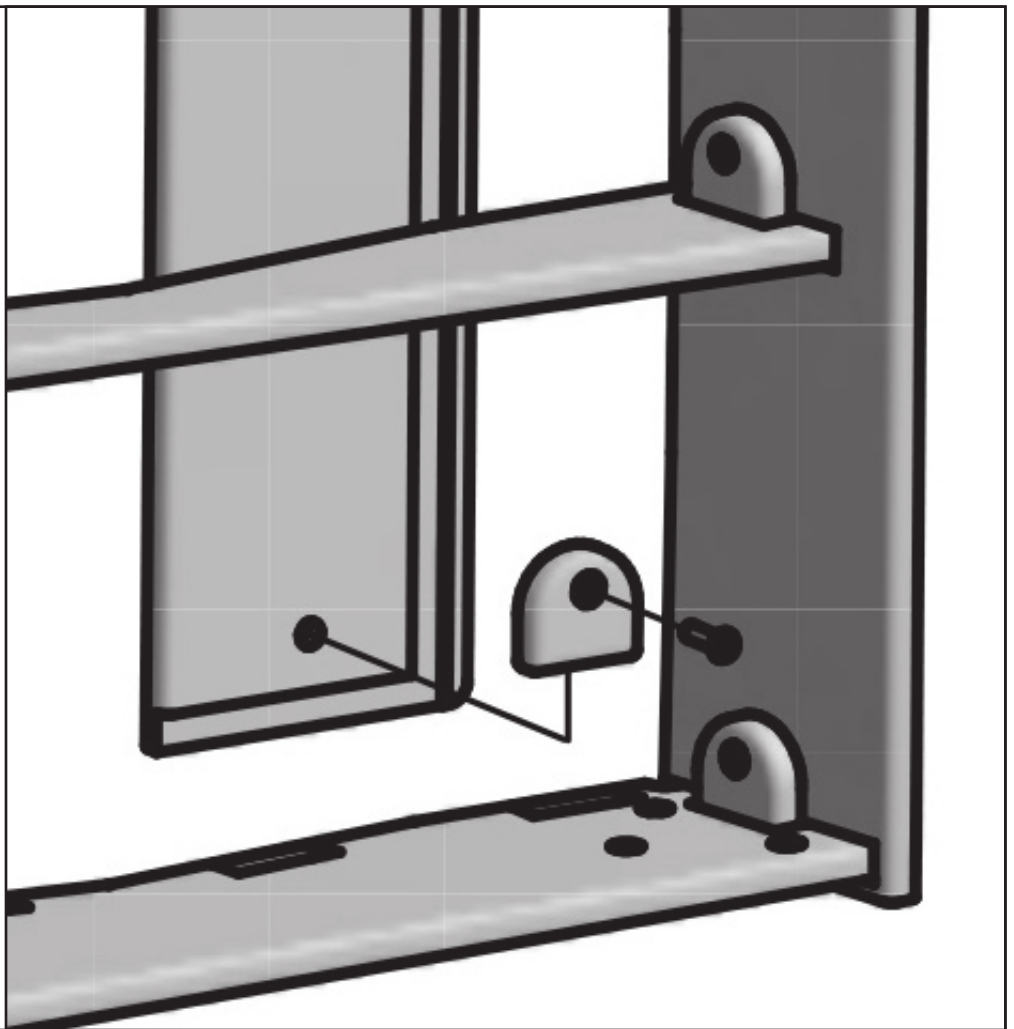
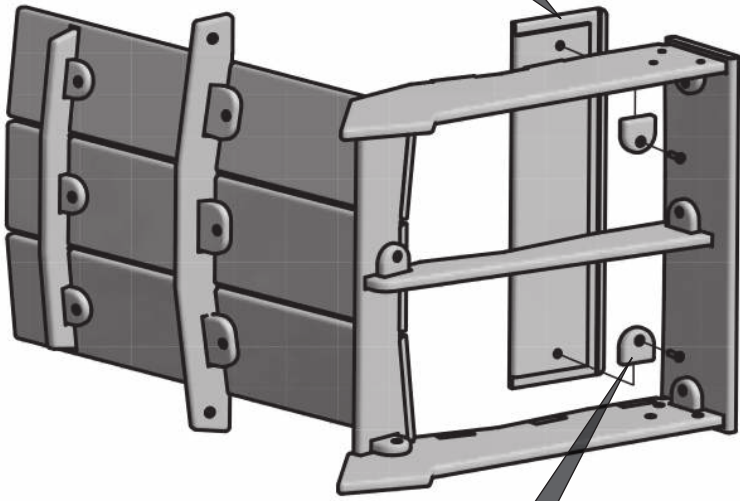
P12 1x

GB 2x



1" FLAT HEAD

2x



5

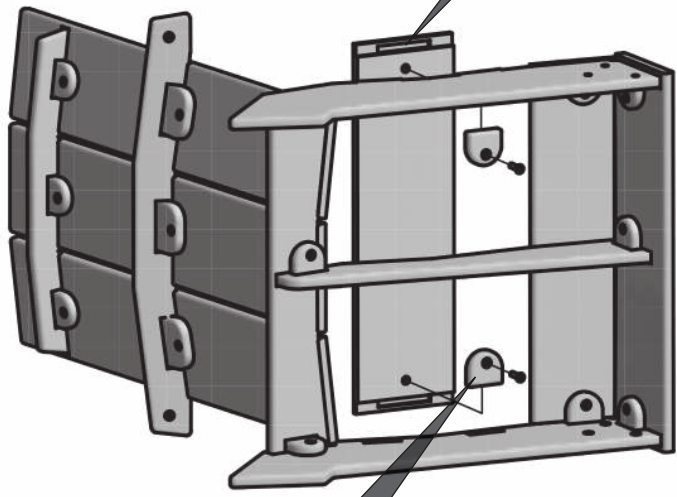
P13

2x3 SLAT	4 SLAT
1x	2x

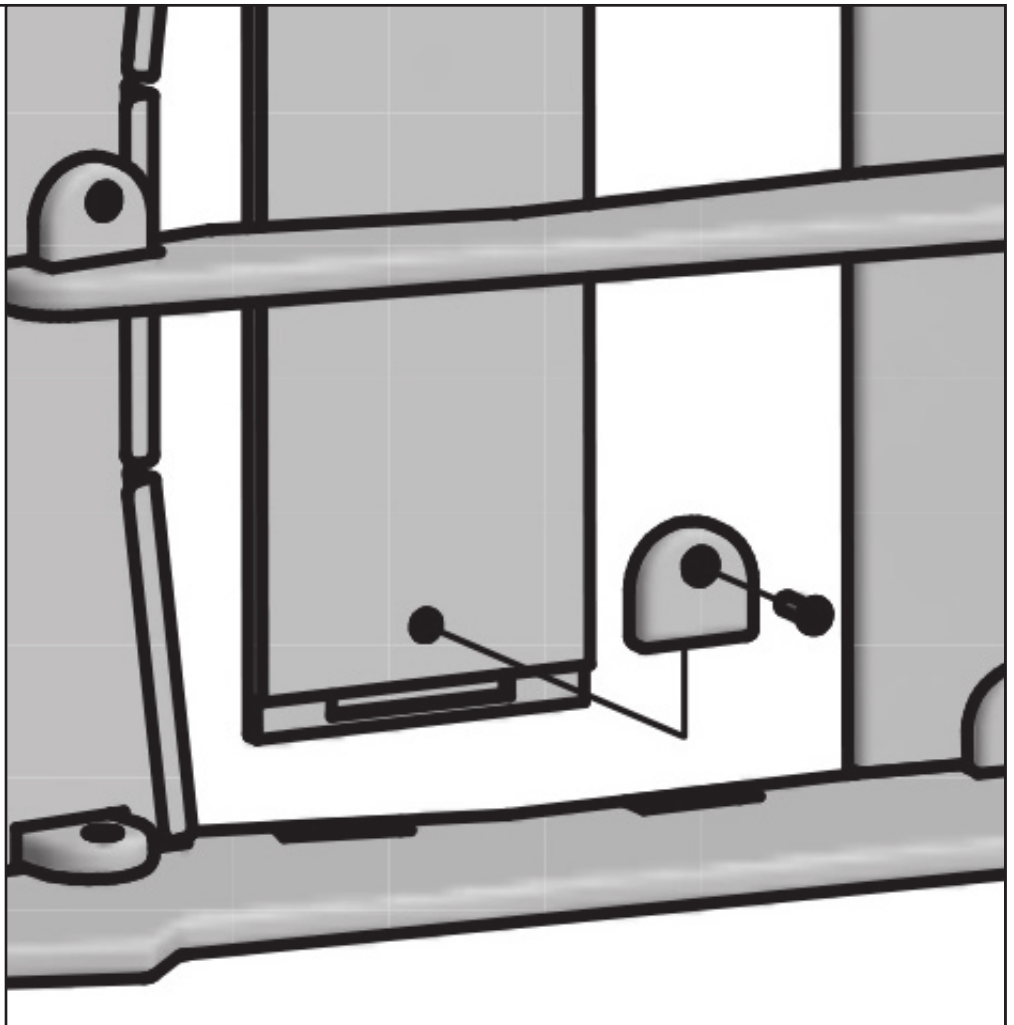
GB

2x3 SLAT	4 SLAT
2x	4x

1" FLAT HEAD	2x3 SLAT	4 SLAT
2x	4x	



*4 Slat assembly not shown.



6

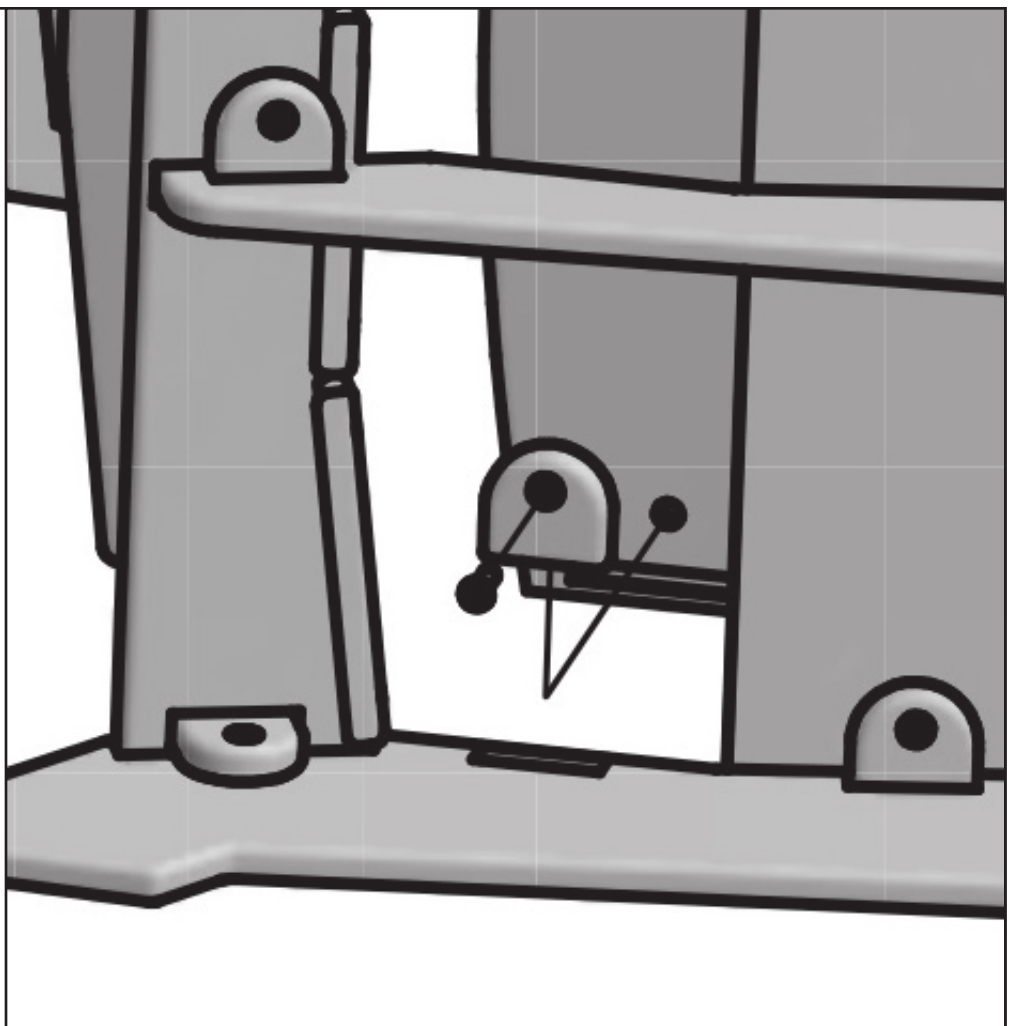
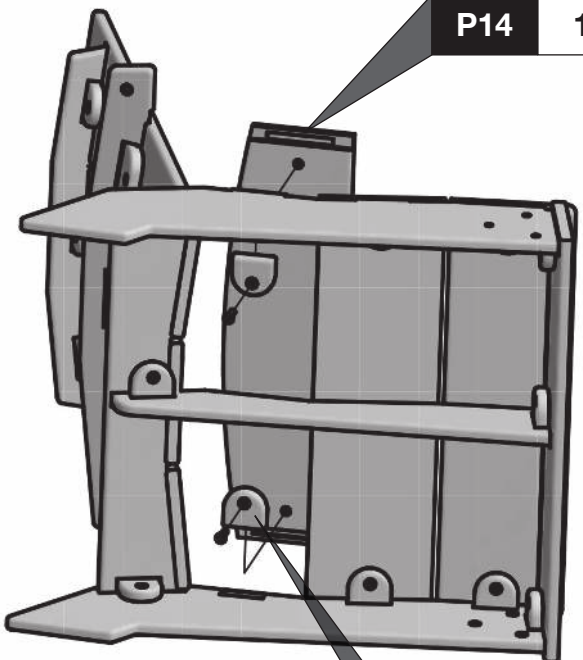
P14 1x

GB 2x



1" FLAT HEAD

2x



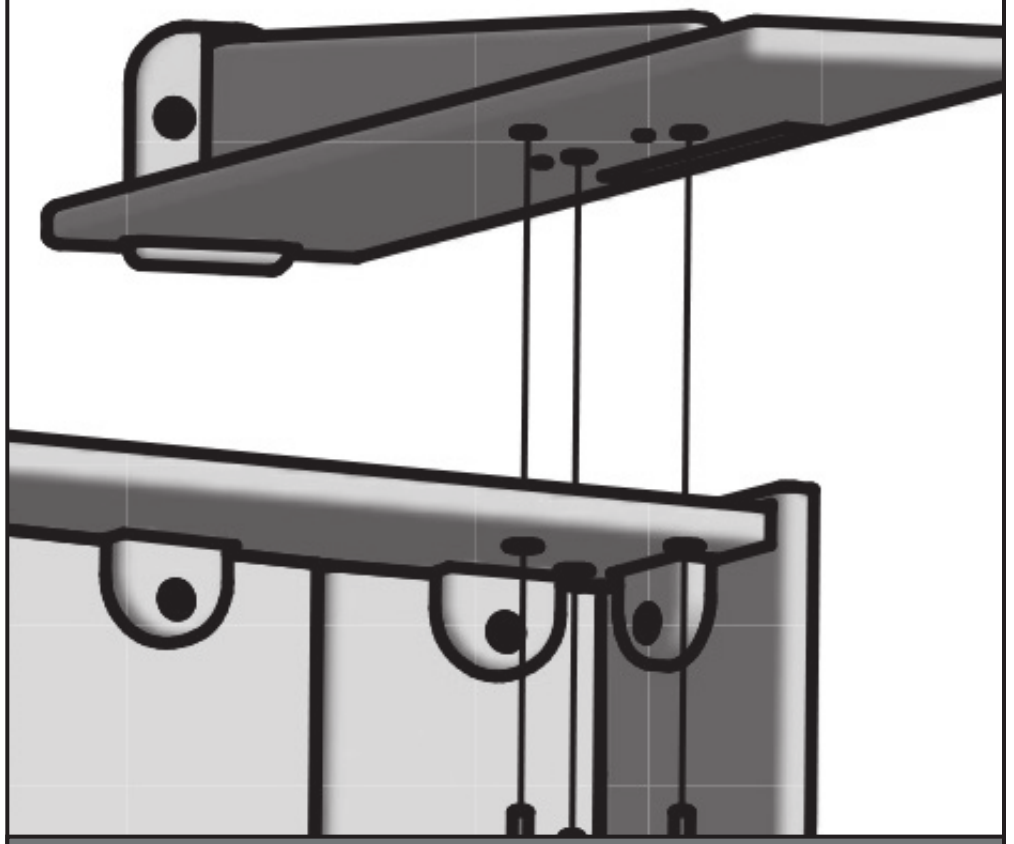
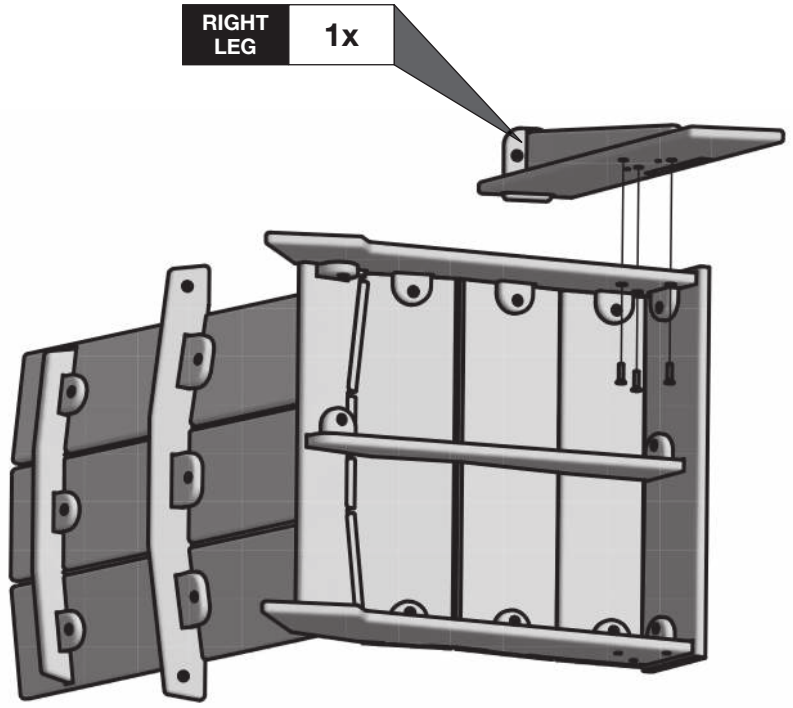
7

RIGHT LEG 1x



1" FLAT HEAD

3x



REPEAT TO ATTACH LEFT LEG

8

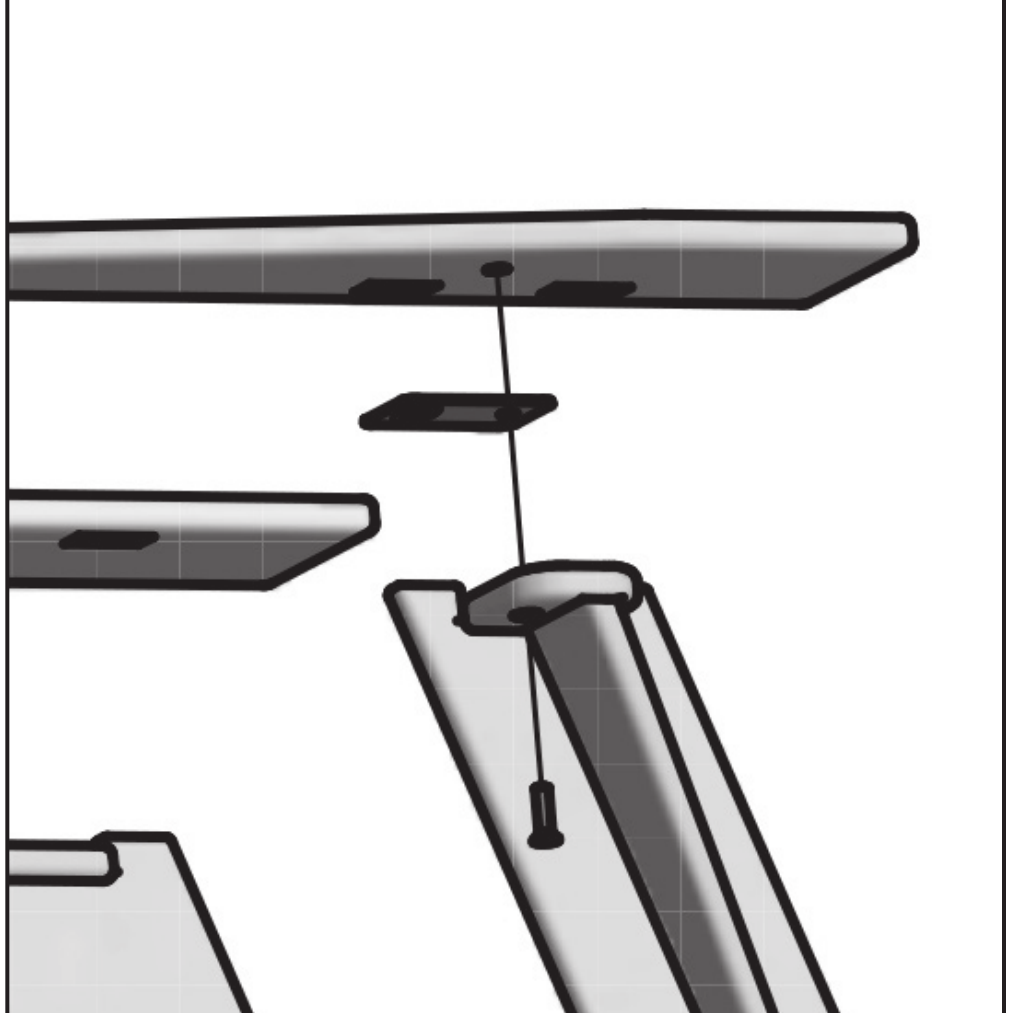
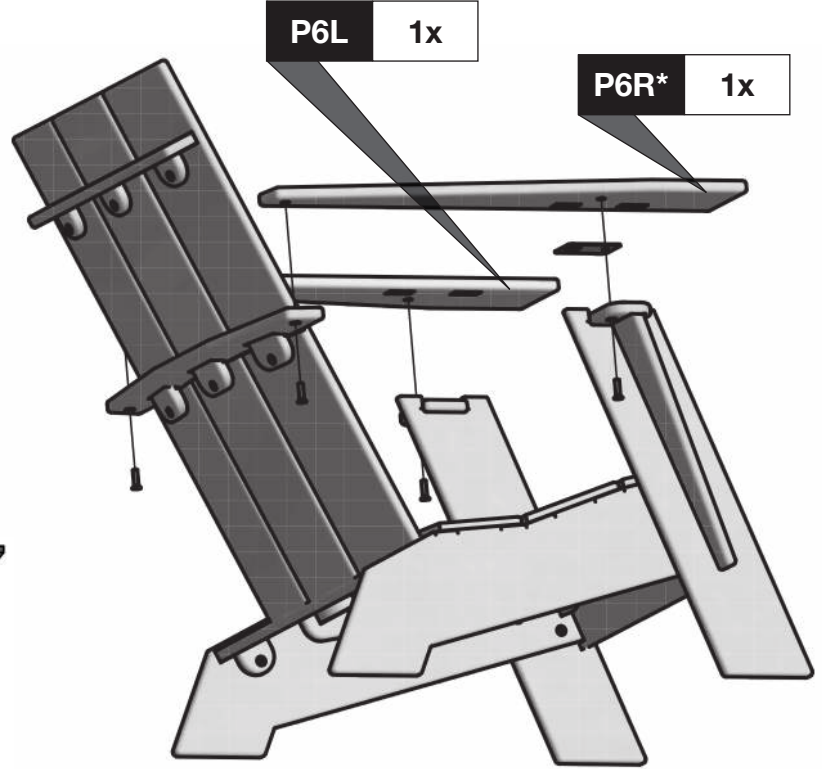
P6L 1x

P6R* 1x



1" FLAT HEAD

4x



**Do not remove tape from bottle opener in Right Arm (P6R) until all bolts are tightened and secure.*